

# **EVANS TEMPCON DASH HEATER A/C**

**All Electric Control  
Systems**



**TEMPCON**  
ISO 9001  
Registered

## **Owner's Manual Operating Instructions**

For additional owner and operator  
information visit us on the web at

[www.evanstempcon.com](http://www.evanstempcon.com)

**WARNING**

This heater / air conditioner should be serviced by a fully trained and environmentally licensed technician. Failure to do the above could result in serious injuries, fines, and possible voiding of any warranties.

**LIMITED WARRANTY**  
**MOTOR HOME DASH HEATER AND**  
**AIR CONDITIONER SYSTEMS**

EVANS Motor Home Dash Heater/Air Conditioners are warranted against defects in material and workmanship to the original end user. Please consult the Motor home manufacturer for warranty and service information. During the duration of the warranty, EVANS, will at its option, repair or replace any part which, upon examination by EVANS or an authorized service provider of EVANS, is found to be originally defective. A list of authorized service providers can be found at [www.evanstempcon.com](http://www.evanstempcon.com).

**CALCULATION OF WARRANTY PERIOD**

The warranty period for an EVANS product installed as original equipment shall begin on the date of the original purchase by the end user of the product in which it is installed. The end user may be required to provide proof of the original delivery.

**EXCEPTIONS AND EXCLUSIONS**

To the extent that any or all of the following exclusions are prohibited by the law of any state or municipality and cannot be pre-empted, they shall not be applicable.

- 1) There are no other express warranties, except as set out above, and any implied warranties are limited in duration to that of the express warranty.
- 2) **THERE IS NO WARRANTY COVERING CONSEQUENTIAL DAMAGES, INCIDENTAL DAMAGES OR INCIDENTAL EXPENSES, INCLUDING DAMAGE TO PROPERTY.**
- 3) There is no warranty covering damages caused by failure to perform normal and routine maintenance as set out in the operation and service instructions.
- 4) There is no warranty covering damages caused by mishandling, neglect, lightning, corrosive atmosphere, improper installation, or improper power supply.
- 5) The warranty shall be void if nameplate is removed or defaced.



701 Ann Street N.W.  
Grand Rapids, MI. 49504  
Telephone (616) 361-2681  
Fax (616) 361-9646  
[www.evanstempcon.com](http://www.evanstempcon.com)

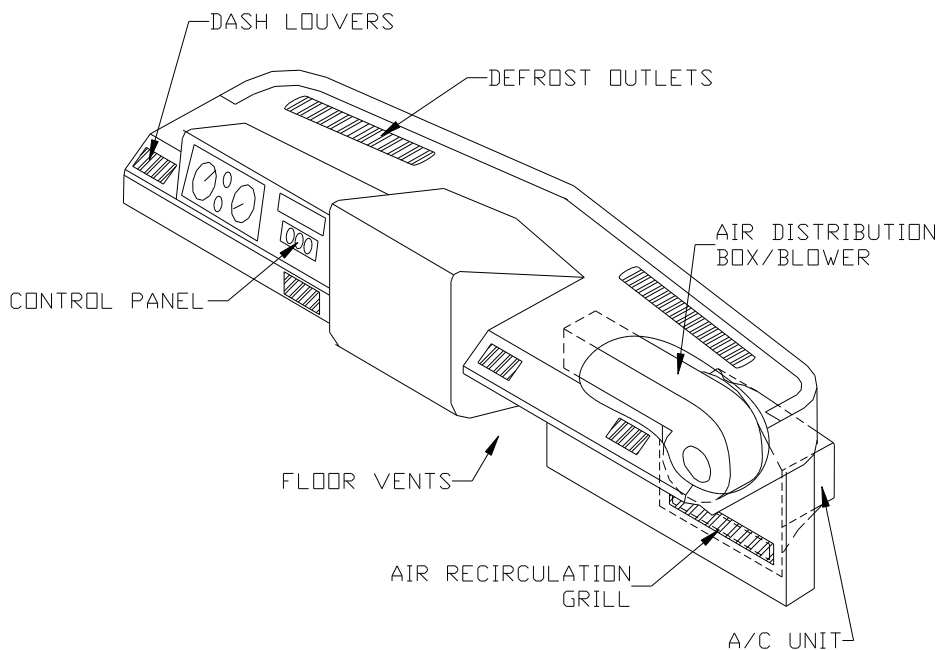
## DASH HEATER / AIR CONDITIONER

Your new motor home has been equipped with the industry's highest performance integrated heating and air conditioning system. It is not designed to cool or heat the entire motor home.

This system is designed to provide windshield defrost, and heating and cooling for the front seat occupants only. By following the operating instructions and tips, this heater / air conditioner will provide many years of comfort and dependable service.

### System Layout

The heater / air conditioner unit is located beneath the dash of the vehicle with heating and cooling coils located on the outside of the firewall. In all modes of operation the unit takes fresh air from outside, and heats or cools it before discharging into the vehicle. Only when operated in the **RECIRC AIR** mode does the system take air from the inside of the vehicle.

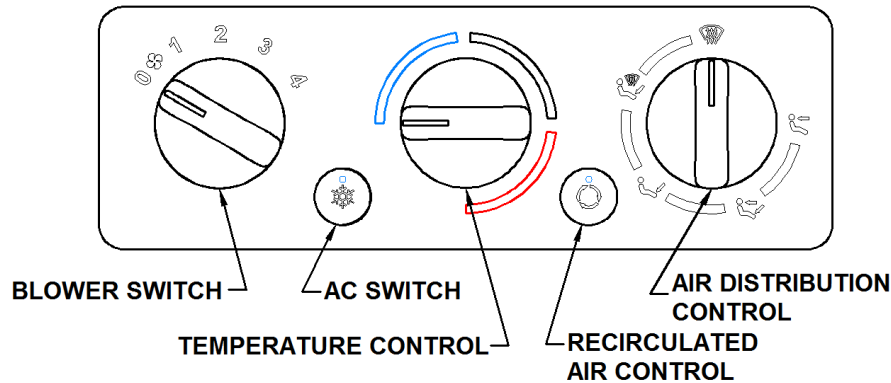


### TYPICAL DASH A/C SYSTEM

The type and location of the air discharge outlets can be different in each model motor home. Consult your dealer on the location and operation of the air outlets on your motor home. Proper adjustment of air outlets will provide maximum comfort.

## **CONTROL PANEL OPERATION**

The control panel enables the driver to control the temperature, volume, and direction of the air discharged from the heating/air conditioning system.



TYPICAL CONTROL PANEL

### **Blower Control**

One of the best ways of controlling temperature is by changing the speed of the blower. The blower switch controls the system on/off and provides up to 4 speeds in any mode.

### **Temperature Control**

The temperature control dial controls only the heat content of the discharge air. The temperature control dial will also control the overall temperature of the discharge air if the AC system is operating. Turn the knob to the right (red area) for warmer air, and to the left (blue area) for cooler air. Use of the temperature control will also moderate the discharge temperature when the cooling system is engaged.

### **AC Switch**

Engages cooling system. The switch will be inactive unless the blower is set on any position other than off (0) to protect the system from forming ice on the core that would block air flow. AC will function in any discharge air mode.

### **Recirculated Air Switch**

Your driver/passenger heater and air conditioning system is designed to operate in fresh air mode by default. The recirculating air feature is primarily used for faster passenger area cool downs during the summer and warm ups during the winter by closing off the fresh air source and recirculating the passenger compartment air. Pressing this switch will place your system in the recirculated air mode.

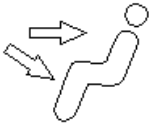
Note: Prolonged use of this feature can cause stale air quality and moisture to form on the windows.

## AIR DISTRIBUTION - MODE CONTROL

To achieve the maximum comfort in your motor home, the air must be directed where it is needed. The mode switch (right of center) gives the driver the ability to select where the air will flow.



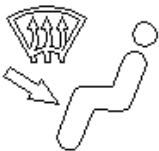
**PANEL MODE** – Air is drawn into the system and discharged through the dash louvers only.



**BI-LEVEL** – Air is drawn into the system and discharged through the dash louvers and floor outlets.



**FLOOR** – Air is drawn into the system and discharged through the floor outlets.



**MIX** – Air is drawn into the system and discharged through the floor and defrost outlets.



**DEFROST** – Air is drawn into the system and discharged through the defrost outlets.

## OPERATING FEATURES

The air conditioning system is designed to operate in all air distribution modes. This provides significant moisture, dust and pollen removal for enhanced passenger comfort.

The EVANS vehicle air conditioning system will not function if the outside air temperature is below approximately 40° F. For cool air circulation during low temperatures, it is suggested the operator utilize FRESH AIR mode.

## **IMPORTANT OPERATING FEATURES AND TIPS**

### **Window Fogging**

In mild, but rainy or humid weather, windows may fog on the inside. To clear the fog of all driver area windows, turn on the air conditioning, set the system air intake to FRESH AIR by disengaging the RECIRC button, adjust the temperature and fan control to maintain comfort, position the mode control to DEFROST.

### **Winter Operation**

- Remove snow and ice from windshields and system air intakes if applicable.
- The discharge air will heat up faster if the blower is operated on lower speeds until the engine is hot and the RECIRC switch engaged (illuminated)
- For windshield de-icing, use **DEFROST** mode.
- Insure the air intake is free of ice and slush.

### **Summer Operation**

Air-conditioned vehicles must be protected with a high-quality antifreeze coolant during summer to provide corrosion protection and to raise the boiling point of the coolant for protection against overheating. A 50% concentration is recommended.

- Use Recirculated air control for a quick cool down.
- Close all windows and vents to hot humid outside air.
- Close all curtains which do not obstruct the driver's vision.

## **CARE AND SERVICE**

- Keep the condenser and radiator free of bugs and debris.
- During periods of little use, operate the A/C system monthly to keep the compressor and seals lubricated.
- Periodically inspect the belts and hoses for wear and proper tension.
- Periodically check for proper coolant levels.

## **WARRANTY / SERVICE**

### **WARNING:**

**THE AIR CONDITIONING SYSTEM CONTAINS REFRIGERANT 134a UNDER HIGH PRESSURE AND SHOULD BE SERVICED BY QUALIFIED PERSONNEL ONLY.**

**REPAIRS THAT ALTER THE DESIGN OF THE EVANS SYSTEM INCLUDING USE OF NON-EVANS SUPPLIED PARTS WILL VOID THE WARRANTY AND ANY EVANS LIABILITY FOR THE SYSTEM.**

If repairs are required contact your dealer or motor home manufacturer for warranty period and details. If traveling and service is required, you can contact your motor home manufacturer for the nearest dealer, or contact Evans by phone or through our web site to find the nearest Evans Service Center.

# EVANS ALL ELECTRIC CONTROL PANELS

